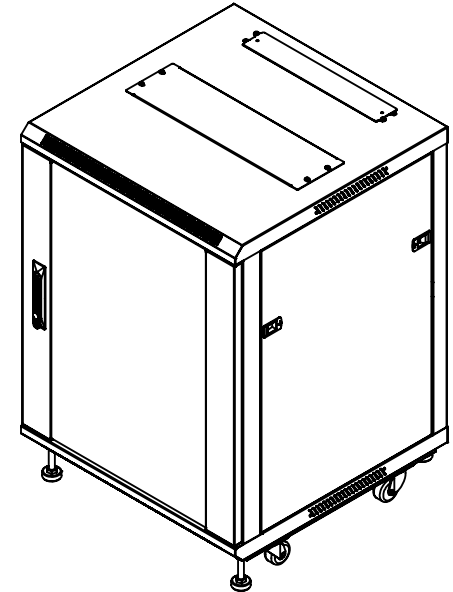
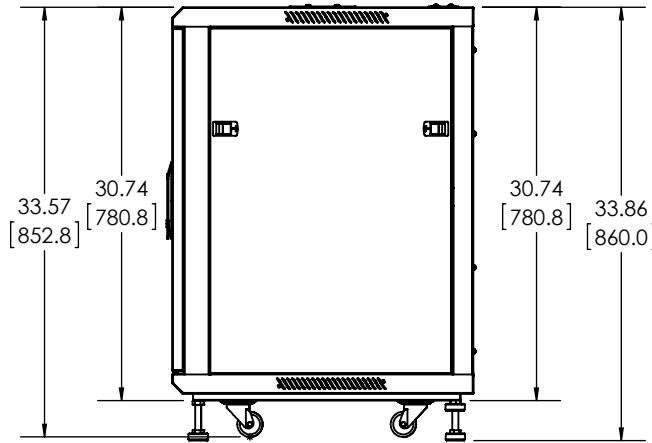
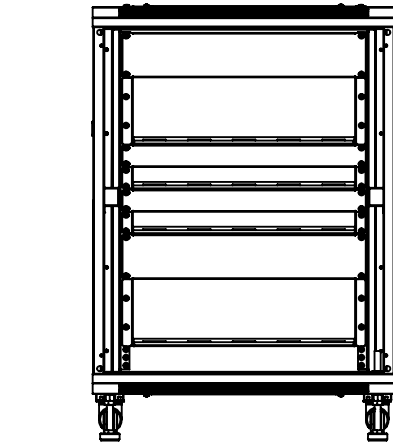


WEIGHT CAPACITY FOR CABINET : 500 LBS

WEIGHT CAPACITY FOR SHELVES:  
 1U = 30 LBS  
 3U = 80 LBS

REVISIONS 修订版				
REV. 修订	DESCRIPTION 描述	DATE 日期	INITIALED 负责人字母缩写	ECO 工程变更
01	RELEASE FOR PRODUCTION	04/27/2011	JBA	



Designed to  
 EIA, 310-D Standard

RACK CONFIGURATION  
 <TOP>

- 2U Blanking panel
- 3U 18" Shelf
- 1U Blanking panel
- 1U 15" Shelf
- 1U Blanking panel
- 1U 15" Shelf
- 2U Blanking panel
- 3U 18" Shelf
- 1U open

6 EXTRA MOUNTING SCREWS  
 AND WASHERS  
 <BOTTOM>

<b>PROPRIETARY AND CONFIDENTIAL</b> THE INFORMATION CONTAINED IN THIS DRAWING IS THE SOLE PROPERTY OF SANUS SYSTEMS, A PRODUCT DIVISION OF MILESTONE AV TECHNOLOGIES. ANY REPRODUCTION IN PART OR AS A WHOLE WITHOUT THE WRITTEN PERMISSION OF SANUS SYSTEMS IS PROHIBITED. 专有且机密资料 本信息属 SANUS SYSTEMS 公司专属财产, 非经 SANUS SYSTEMS 书面许可, 严禁复制或其中任何内容	NAME 姓名	DATE 日期	
	ENGINEER 工程师	JBA	10/20/2009
	DESIGNER 设计师	JBA	10/20/2009
	APPROVED 批准	JBA	10/20/2009
NOTES 注释:			
in[mm]			
TEMPLATE REV 模板修订版: 06	SHEET 1 OF 第 1		



DESCRIPTION 描述:  
 15U RACK W/ SHELVES AND BLANKS