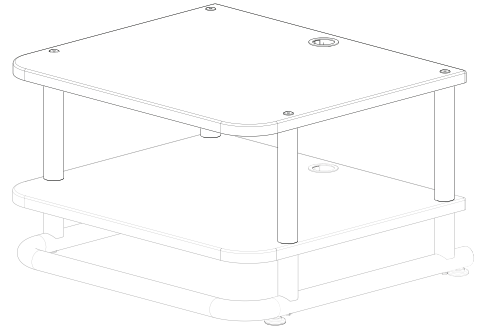


SANUS SYSTEMS

THE UNION OF FORM AND FUNCTION

Assembly Instructions for Model: EFAS-II

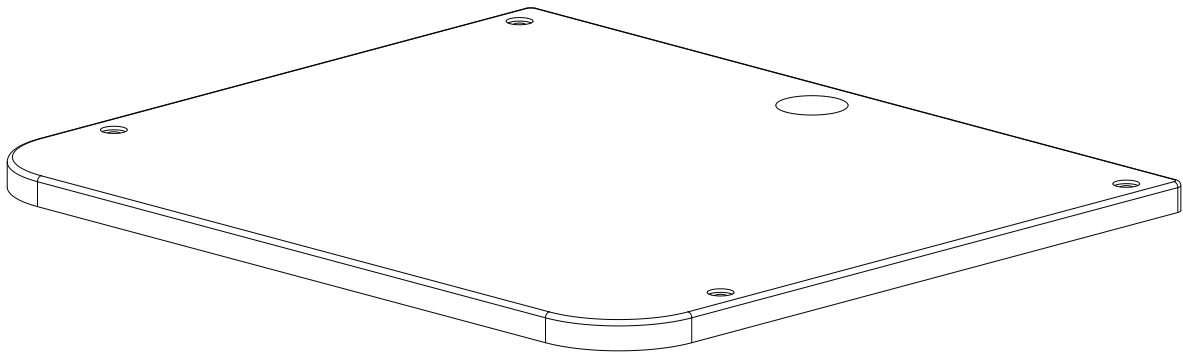
Thank you for choosing the Sanus Systems Model EFAS-II. Every effort has been made to ensure that your Sanus Systems furniture is perfect. If you have questions or feel that there is a problem of any kind, please contact us at 800-359-5520 or at www.sanus.com. We can quickly help with any issues regarding assembly or missing parts. Replacement parts for Sanus systems products purchased through authorized dealers will be shipped directly to you.



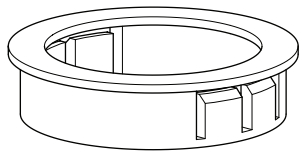
Supplied Parts List: (All threaded fasteners are shown full size.)



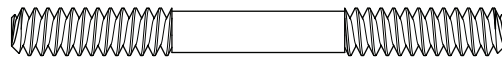
8" Pillar - A
Qty. 4



Audio Shelf - B
Qty. 1



Wire Bushing - C
Qty. 1

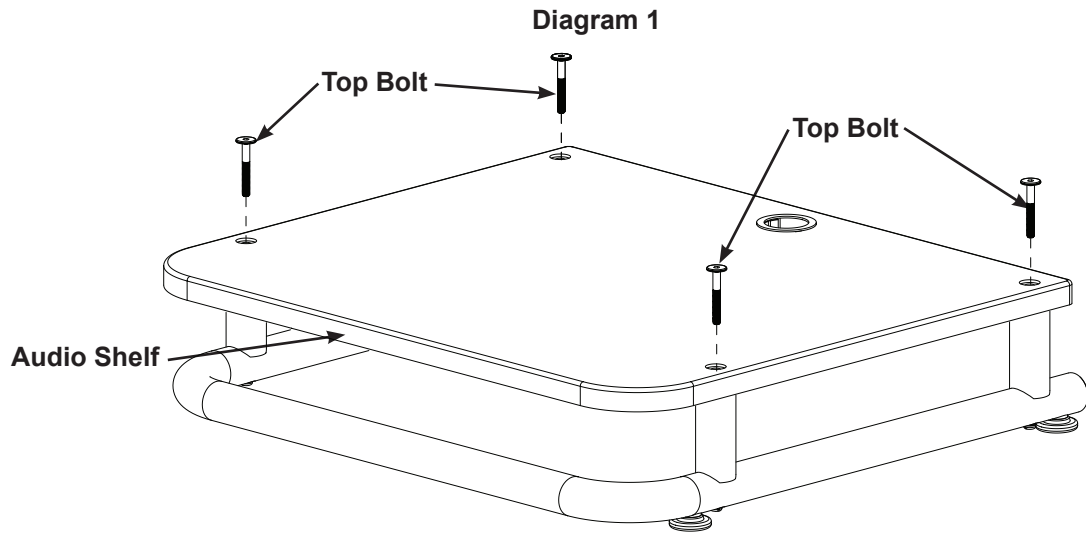


Shelf Connector - D
Qty. 4

NOTE: Step 1 is necessary only if the EFAB-II assembly has been previously completed.

Step 1 - Remove existing Top Bolts

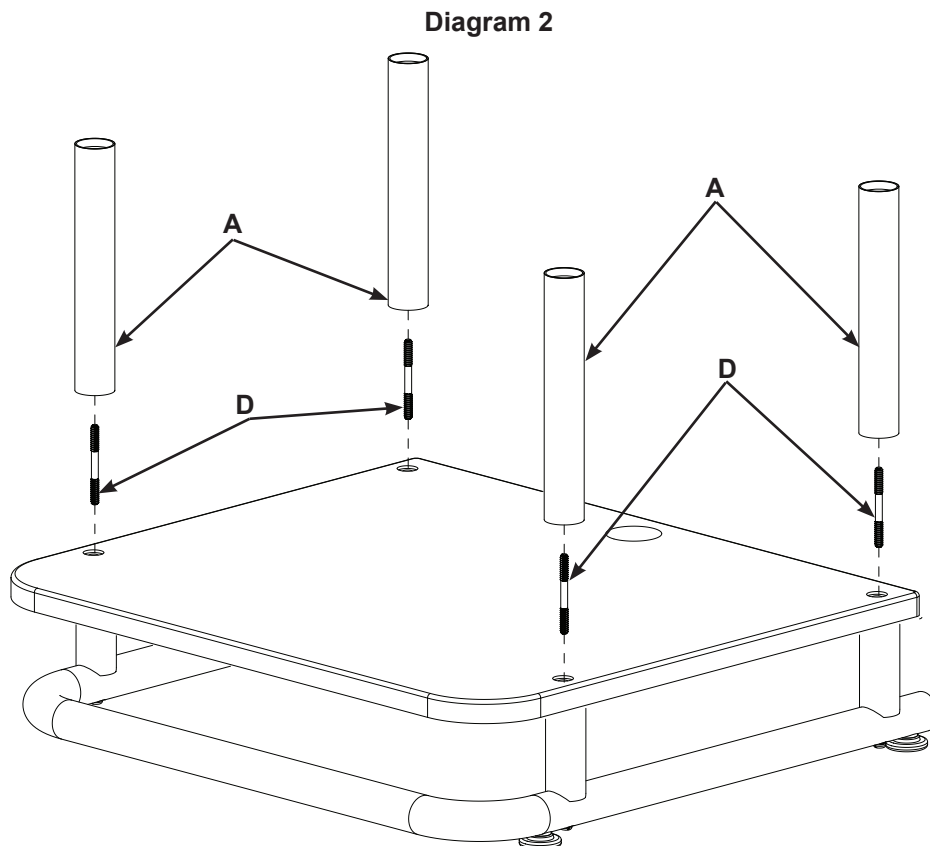
Remove the four Top Bolts securing the Audio Shelf.



Step 2 - Install Shelf Connectors, and 8" Pillars

Thread a Shelf Connector (**D**) securely into the four 3" Cope Tubes.

Screw the 8" Pillars (**A**) onto the Shelf Connectors (**D**).



Step 3 - Secure new Audio Shelf to 8" Pillars

Place the new Audio Shelf (B) on the 8" Pillars (A); then, using an Allen Key and the four Top Bolts removed from the EFAB-II, secure the new Audio Shelf to the 8" Pillars.

Press the Wire Bushing (C) into the hole in the Audio Shelf (B).

Diagram 3

