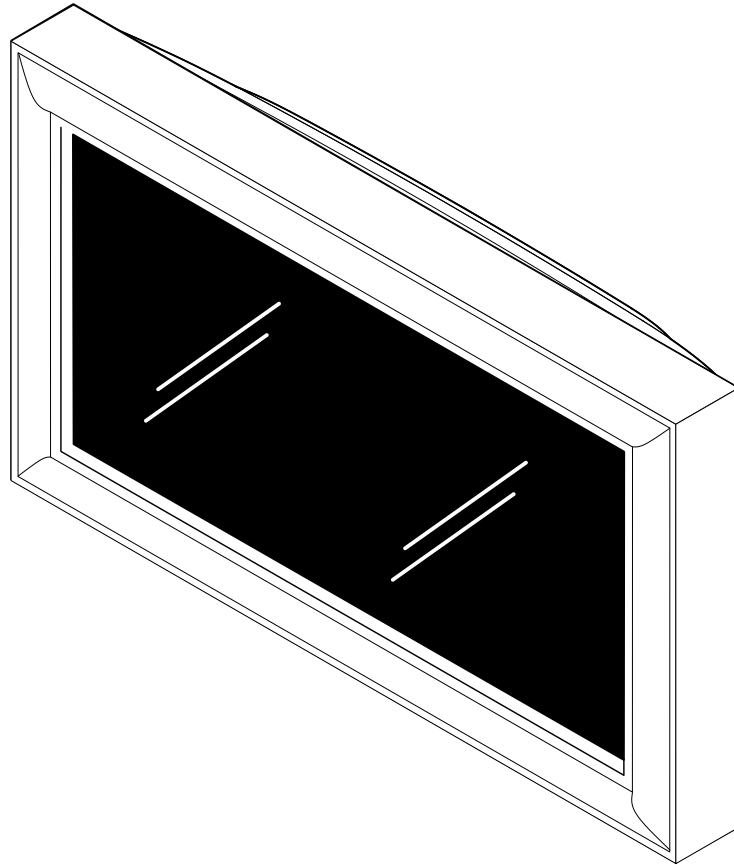

INSTALLATION INSTRUCTIONS



**Decorative Display Frame and
Optical Filter Kit**





32", 42", and 50"


DISCLAIMER


CSAV, Inc., and its affiliated corporations and subsidiaries (collectively, "CSAV"), intend to make this manual accurate and complete. However, CSAV makes no claim that the information contained herein covers all details, conditions or variations, nor does it provide for every possible contingency in connection with the installation or use of this product. The information contained in this document is subject to change without notice or obligation of any kind. CSAV makes no representation of warranty, expressed or implied, regarding the information contained herein. CSAV assumes no responsibility for accuracy, completeness or sufficiency of the information contained in this document.

IMPORTANT WARNINGS AND CAUTIONS!

 **WARNING:** A WARNING alerts you to the possibility of serious injury or death if you do not follow the instructions.

 **CAUTION:** A CAUTION alerts you to the possibility of damage or destruction of equipment if you do not follow the corresponding instructions.

 **WARNING:** Failure to read, thoroughly understand, and follow all instructions can result in serious personal injury, damage to equipment, or voiding of factory warranty! It is the installer's responsibility to make sure all components are properly assembled and installed using the instructions provided.

 **WARNING:** IMPROPER INSTALLATION CAN LEAD TO ACCESSORY OR DISPLAY FALLING CAUSING SERIOUS PERSONAL INJURY OR DAMAGE TO EQUIPMENT! It is the installer's responsibility to make sure the combined weight of all components attached to display does not exceed the weight capacity of the display mount!

INTRODUCTION

TOOLS REQUIRED FOR INSTALLATION

- No tools are required for this installation

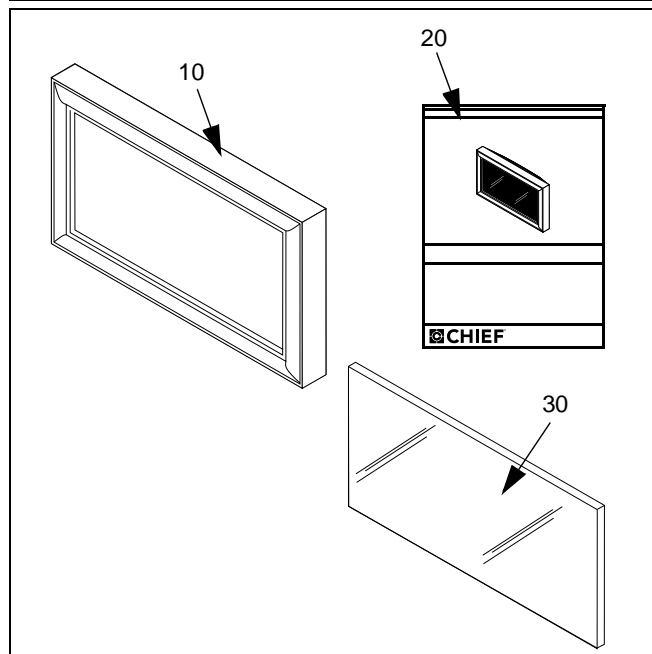
INSPECT MOUNT BEFORE ASSEMBLY


Carefully inspect mount assembly for shipping damage (see Figure 1). If damage is apparent, call your carrier claims agent and do not continue with installation until the carrier has reviewed the damage.

NOTE: Thoroughly read and understand all assembly instructions before starting installation.

Table 1: PARTS

ITEM	DESCRIPTION	QTY.
10	FRAME, Decorative Display	1
20	INSTRUCTIONS, Installation	1
30	LENS, Optical (when ordered sepreately)	1



 **WARNING:** USING IMPROPER HARDWARE CAN LEAD TO MOUNT AND/OR DISPLAY FALLING. Use only hardware provided with mount. DO NOT substitute!

For the frame to properly fit it must completely cover the bezel on the display.

Use the figure below and the Display Compatability Tables on page 4 to determine if frame will work with display.

The frame will fit the display if the top, side and bottom bezels on display all measure less than 4 1/2" (114mm).

To make sure frame fits display:

1. Measure width of upper bezel on display.
2. Measure the distance from the top of display to the inside of the upper bezel (Edge of screen).
3. Record measurement.
4. Measure width of side bezels on display.
5. Measure the distance from the right or left of display to the inside of the right or left bezel (edge of screen).

NOTE: Right and left bezels should be the same so only one side needs to be measured.

6. Record measurement.

NOTE: The left and right side bezels will be the same width so you only have to do this on one side of your TV.

7. Measure the width of lower bezel on display.
8. Measure the distance from the bottom of display to the inside of the bottom bezel (edge of screen).
9. Record measurement.

NOTE: Depending on the brand and model of display, this measurement may or may not be the same as the width of the upper bezel.

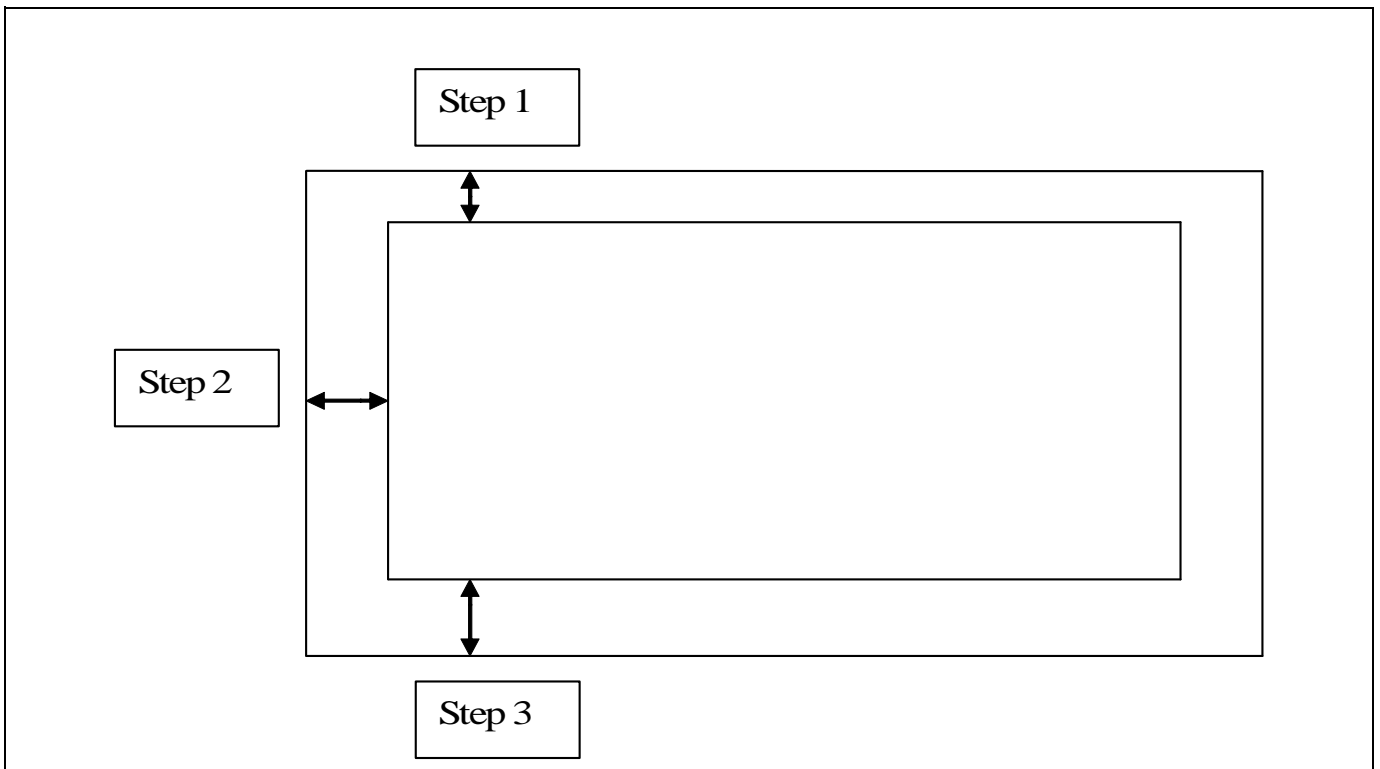


Figure 1

Display Size Compatability Tables

TELEVISIONS MAXIMUM ALLOWABLE DIMENSIONS		
Diagonal Dim.	Height (inches / mm)	Width (inches / mm)
32	23 31/32 (609mm)	37 3/32 (942mm)
42	28 57/64 (734mm)	45 13/16 (1164mm)
50	32 27/32 (834mm)	52 25/32 (1341mm)

INSTALLATION



WARNING: IMPROPER INSTALLATION CAN LEAD TO ACCESSORY OR DISPLAY FALLING CAUSING SERIOUS PERSONAL INJURY OR DAMAGE TO EQUIPMENT! It is the installer's responsibility to make sure the combined weight of all components attached to display does not exceed the weight capacity of the display mount!

IMPORTANT ! : If optional optical filter is being used it must be installed before proceeding to frame installation. (See page 5)

1. Lay frame face down on a clean, dry, smooth surface. (See Figure 2)
2. Slide spacer locking tab towards back of frame.
3. Slide spacer assembly to left until free of *UPPER* spacer mounting bracket and remove from frame. (See Figure 2)

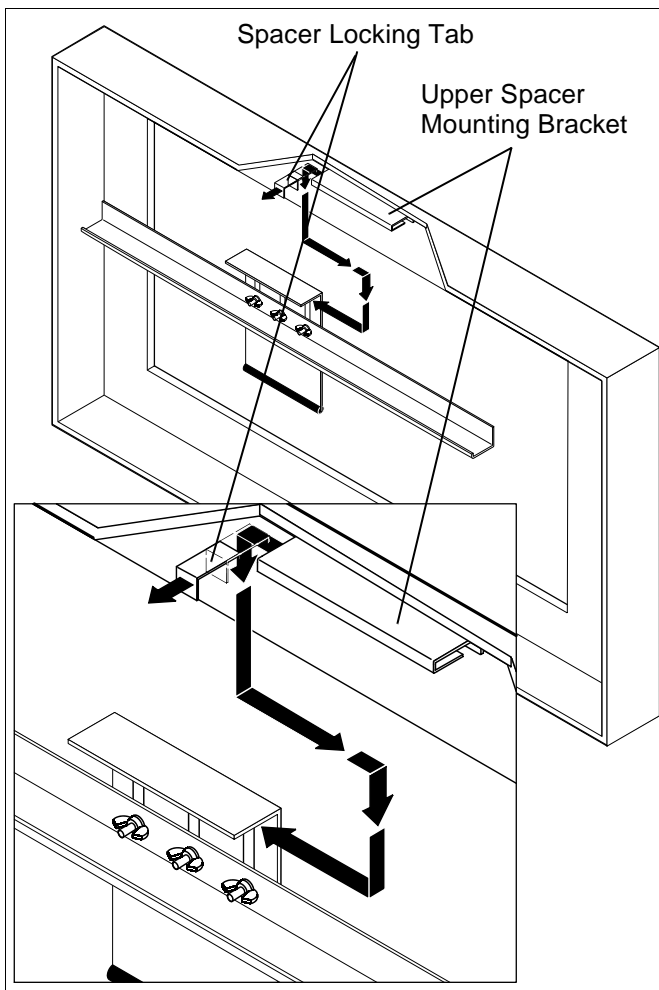


Figure 2

4. Loosen three wing nuts on spacer assembly until alignment bar can slide freely in slots of *LOWER* spacer mounting bracket. (See Figure 3)

IMPORTANT ! : DO NOT completely remove wing nuts.

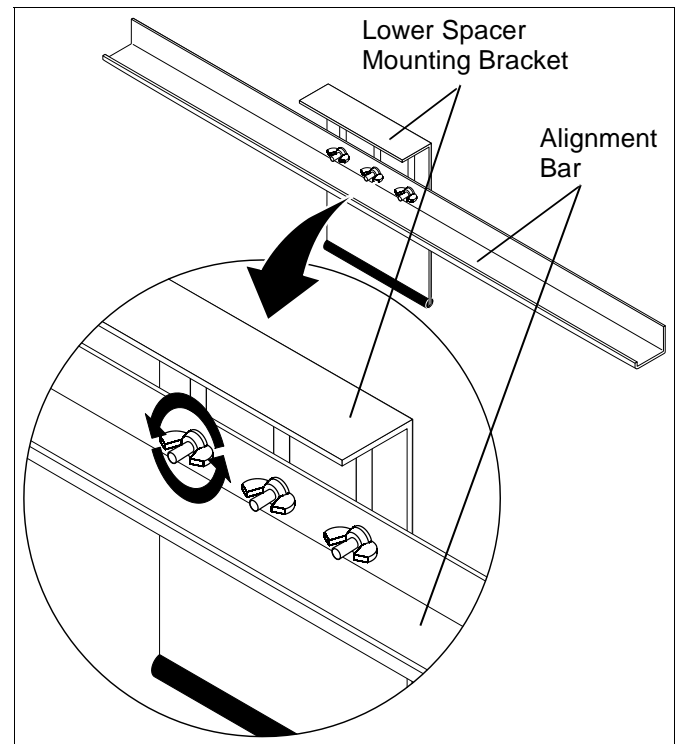


Figure 3

5. Position spacer assembly on top of display with wing nuts facing towards rear of display and alignment bar resting on display top. (See Figure 4)
6. Slide *LOWER* spacer mounting bracket up or down until rubber edge on bottom of bracket is aligned with lower edge of display bezel. (See Figure 4)

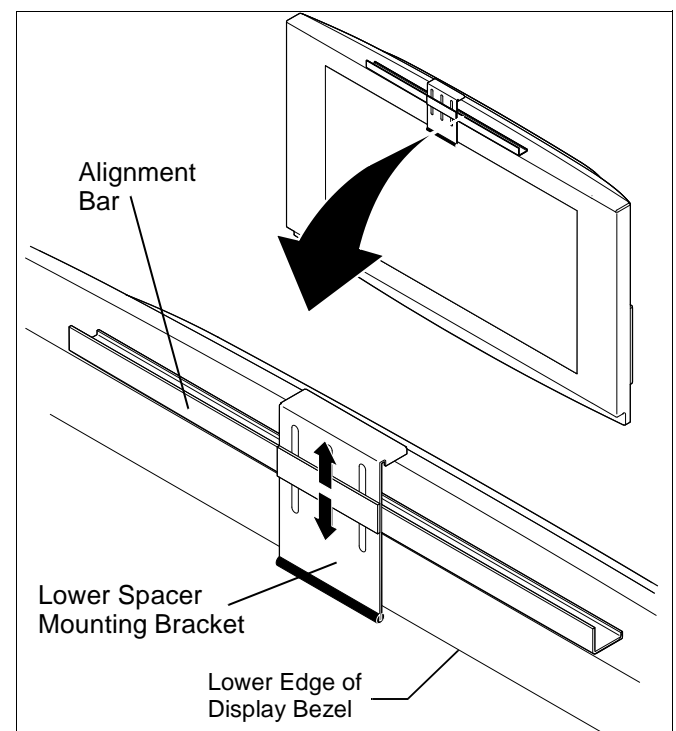


Figure 4

7. Tighten three wing nuts on spacer assembly.
 8. Slide top of *LOWER* spacer mounting bracket into *UPPER* spacer mounting bracket until it stops. (See Figure 5)
- NOTE:** Wing nuts should be facing towards rear of frame when spacer assembly is properly installed.
9. Slide spacer locking tab towards front of frame. (See Figure 5)

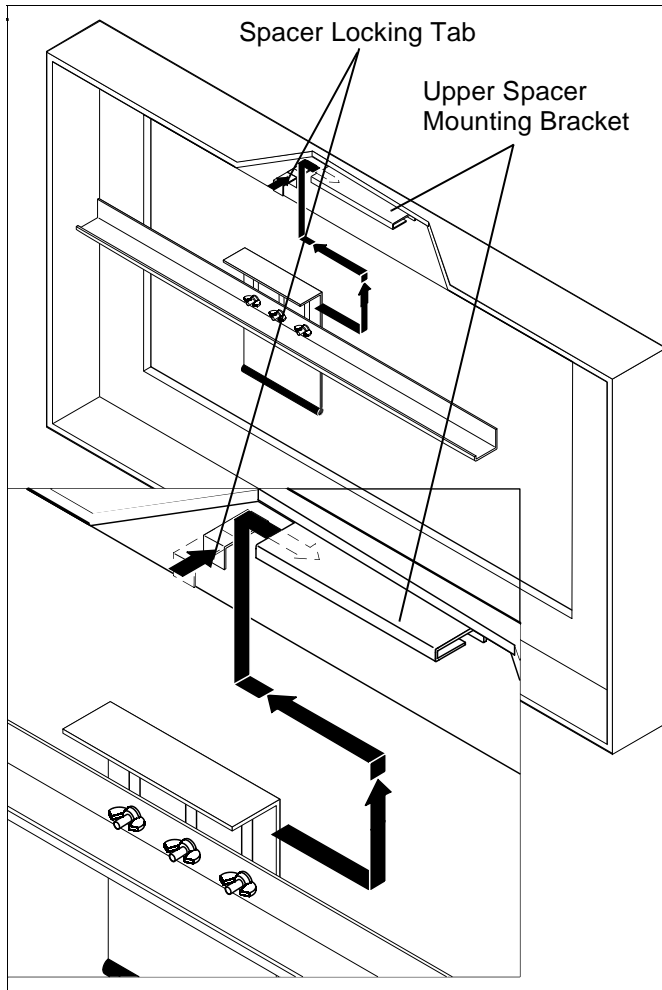


Figure 5

10. Locate IR receiver on display. (See Figure 6)
11. Remove protective cover from back of IR Replicator. (See Figure 6)
12. Position IR Replicator inside frame so that when frame is mounted on display the IR Replicator is positioned directly in front of IR Receiver on display. (See Figure 6)
13. Secure IR Replicator to inside of frame by pressing adhesive back on IR Replicator against frame.
14. Pull straps on frame back over top of frame. (See Figure 7)
15. Align back side of frame with front of display. (See Figure 7)
16. Route wire from IR Replicator with plug out of frame at lower corner. (See Figure 7)

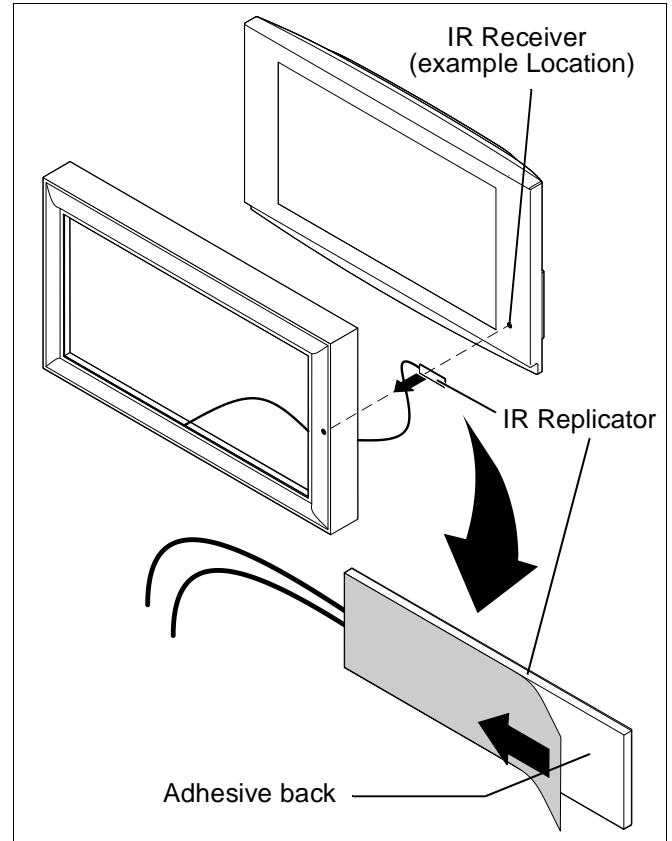


Figure 6

17. Slide frame onto display until display front presses against inside of frame.

IMPORTANT ! : Make sure spacer alignment bar is resting on top of display.

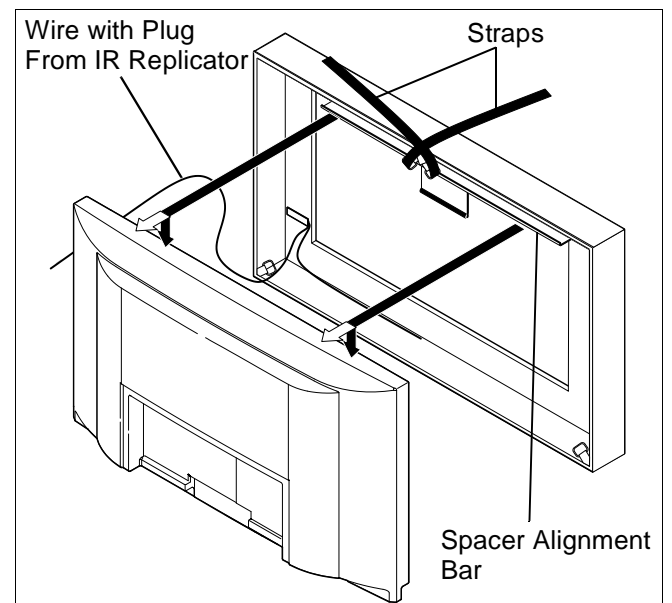


Figure 7

18. Route mounting straps under and through two anchors at each bottom corner of frame. (See Figure 8)
19. Pull each strap upward until snug and secure by pressing hook side of velcro straps to loop side of velcro straps. (See Figure 8)

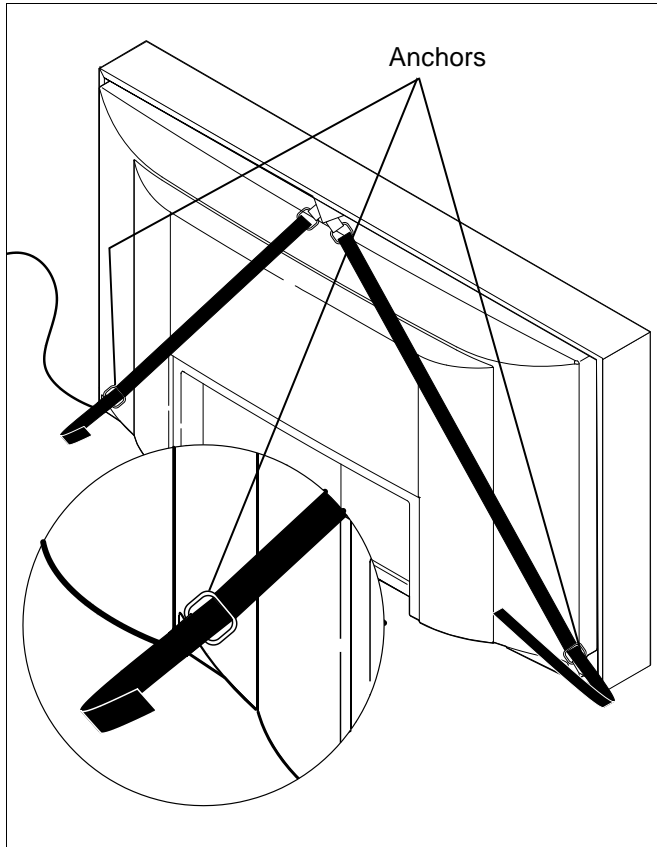


Figure 8

Optional Optical Filter Installation

To install the optional Optical Filter accessory:

1. Lay frame face down on a smooth dry surface.
2. Turn hold down tabs to left or right. (See Figure 9)
3. Remove frame insert from frame. (See Figure 9)
4. Carefully install optical filter into frame. (See Figure 10)
5. Reinstall frame insert.
6. Turn hold down tabs until positioned over lens. (See Figure 10)

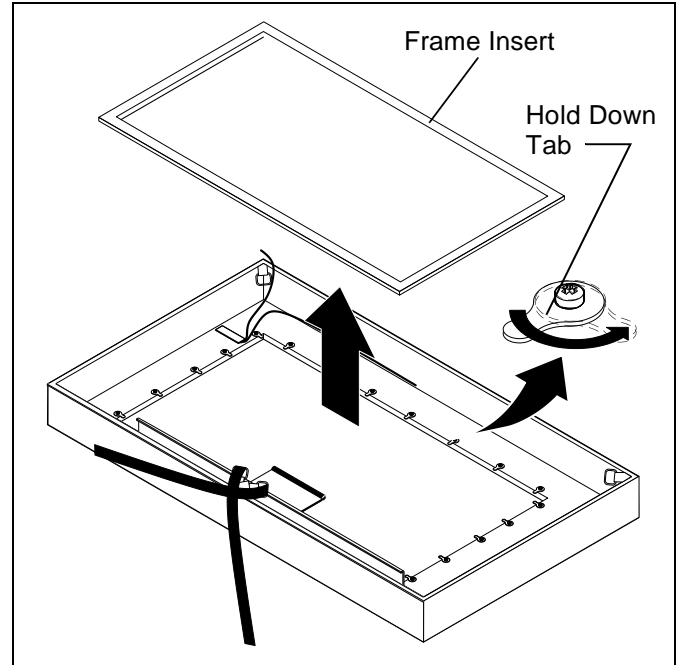


Figure 9

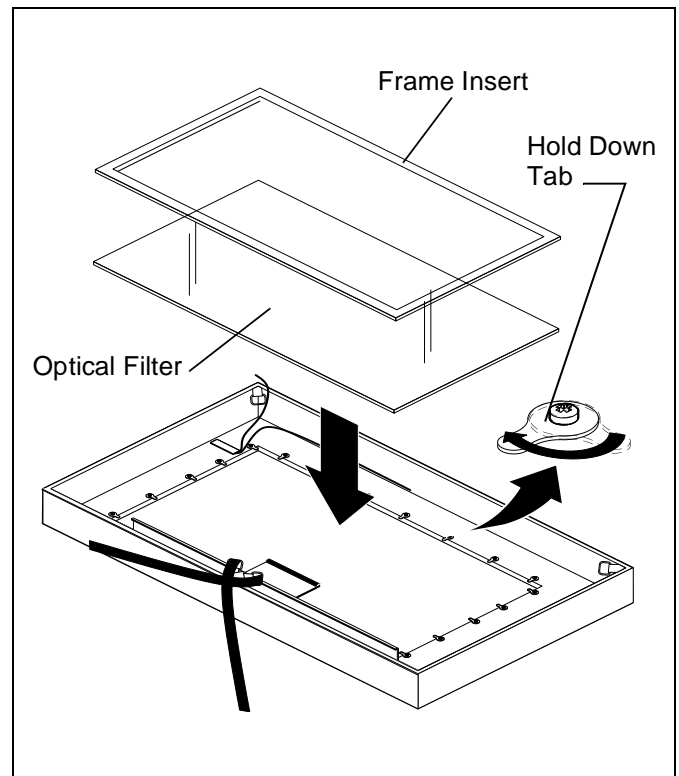


Figure 10



USA/International	A 8401 Eagle Creek Parkway, Savage, MN 55378
	P 800.359.5520 / 651.484.7988
	F 651.636.0367
Europe	A Fellenoord 130 5611 ZB EINDHOVEN, The Netherlands
	P +31 (0)40 2668620
	F +31 (0)40 2668615
Asia Pacific	A Room 30I, Block D, Lily YinDu International Building LuoGang, BuJi Town, Shenzhen, CHINA. Post Code: 518112 深圳市布吉罗岗百合银都国际大厦D栋30I
	P +86-755-8996 9226 ; 8996 9236 ; 8996 9220
	F +86-755-8996 9217

SANUS[™]
S Y S T E M S

USA/International	A 2221 Highway 36 West, St. Paul, MN 55113
	P 800.582.6480 / 952.894.6280
	F 877.894.6918 / 952.894.6918
Europe	A Fellenoord 130 5611 ZB EINDHOVEN, The Netherlands
	P +31 (0)40 2668620
	F +31 (0)40 2668615
Asia Pacific	A Room 30I, Block D, Lily YinDu International Building LuoGang, BuJi Town, Shenzhen, CHINA. Post Code: 518112 深圳市布吉罗岗百合银都国际大厦D栋30I
	P +86-755-8996 9226 ; 8996 9236 ; 8996 9220
	F +86-755-8996 9217