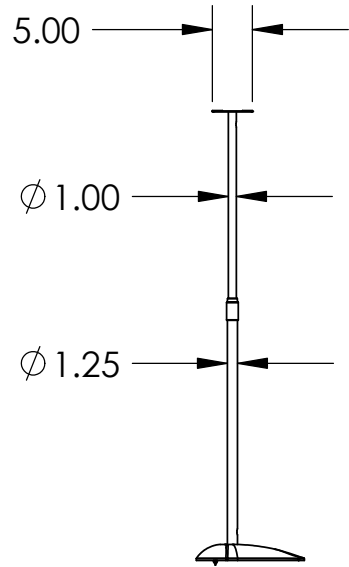
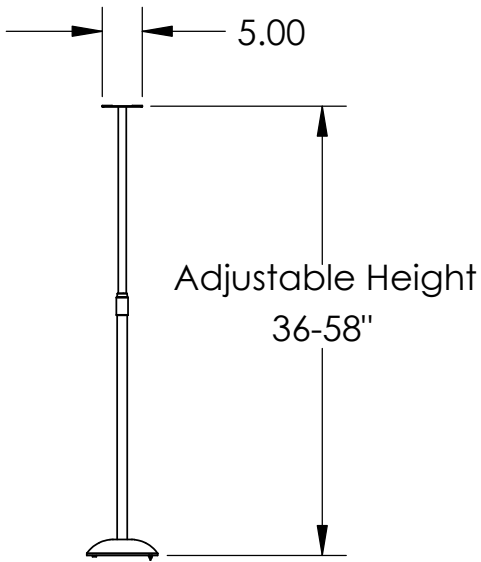
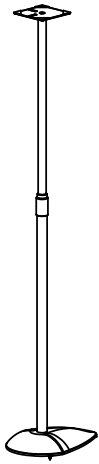


Maximum Speaker Capacity: 10lbs.



	NAME	DATE	<p>SANUS SYSTEMS</p> <p>TITLE:</p> <p>HF1</p>
DRAWN	NAS	10/11/05	
CHECKED			
ENG APPR.			
MFG APPR.			
Q.A.			
<p>PROPRIETARY AND CONFIDENTIAL THE INFORMATION CONTAINED IN THIS DRAWING IS THE SOLE PROPERTY OF SANUS SYSTEMS. ANY REPRODUCTION IN PART OR AS A WHOLE WITHOUT THE WRITTEN PERMISSION OF SANUS SYSTEMS IS PROHIBITED.</p>			<p>Hover Foundations</p>
SCALE: 1:24		SHEET 1 OF 1	