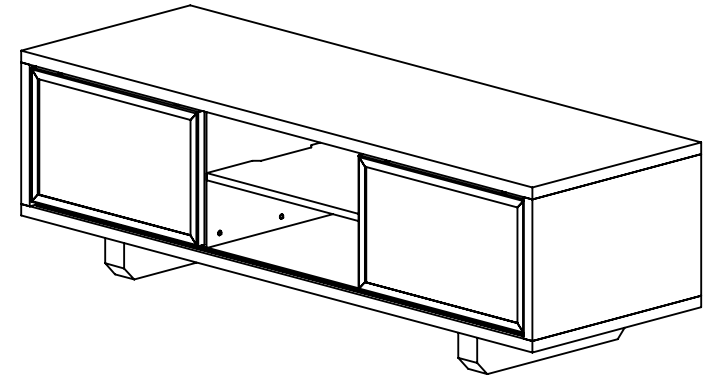
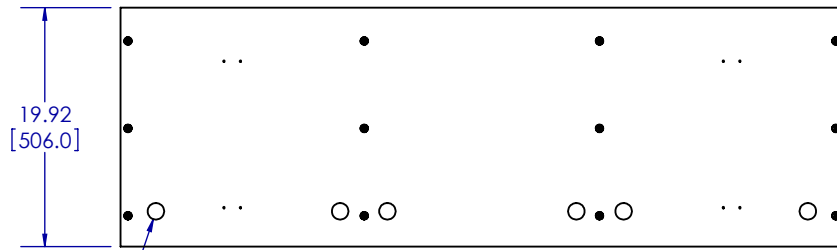
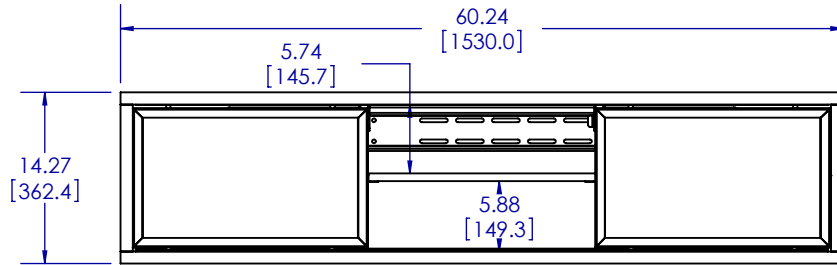


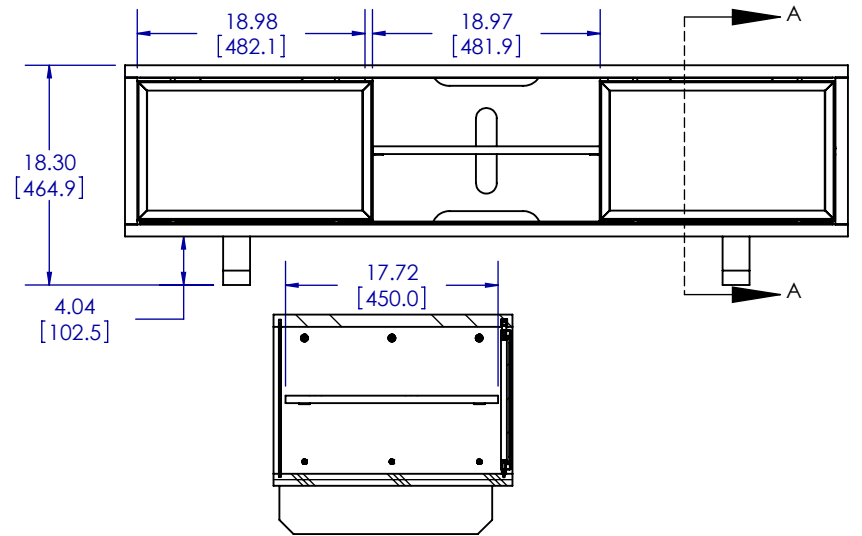
ON WALL CONFIGURATION



FLOOR CONFIGURATION



Ø1.38 [35.0]
WIRE MANAGEMENT



SECTION A-A

| | | | | |
|--|----------------|----------------|---|-----------|
| <p>PROPRIETARY AND CONFIDENTIAL</p> <p>THE INFORMATION CONTAINED IN THIS DRAWING IS THE SOLE PROPERTY OF SANUS SYSTEMS, A PRODUCT DIVISION OF MILESTONE AV TECHNOLOGIES. ANY REPRODUCTION IN PART OR AS A WHOLE WITHOUT THE WRITTEN PERMISSION OF SANUS SYSTEMS IS PROHIBITED.</p> <p>专有且机密资料</p> <p>本信息属 SANUS SYSTEMS 公司专属财产, 非经 SANUS SYSTEMS 书面许可, 严禁复制其中任何内容</p> | NAME 姓名 | DATE 日期 | <p>SANUS[®]</p> <p>S Y S T E M S</p> <p>DESCRIPTION 描述: 60" On Wall Furniture</p> | |
| | ENGINEER 工程师 | JKV | | 4/24/2009 |
| | DESIGNER 设计师 | MMR | | 4/24/2009 |
| | APPROVED 批准 | DDG | | 4/24/2009 |
| NOTES 注释: | | | | |
| TEMPLATE REV 模板修订版: 06 | SCALE 比例: 1:16 | SHEET 1 OF 第 1 | <p>SIZE 尺寸</p> <p>A</p> | |
| | | | <p>DWG. NO. 图纸编号</p> <p>JFV60</p> | |
| | | | <p>REV 修订</p> <p>A</p> | |