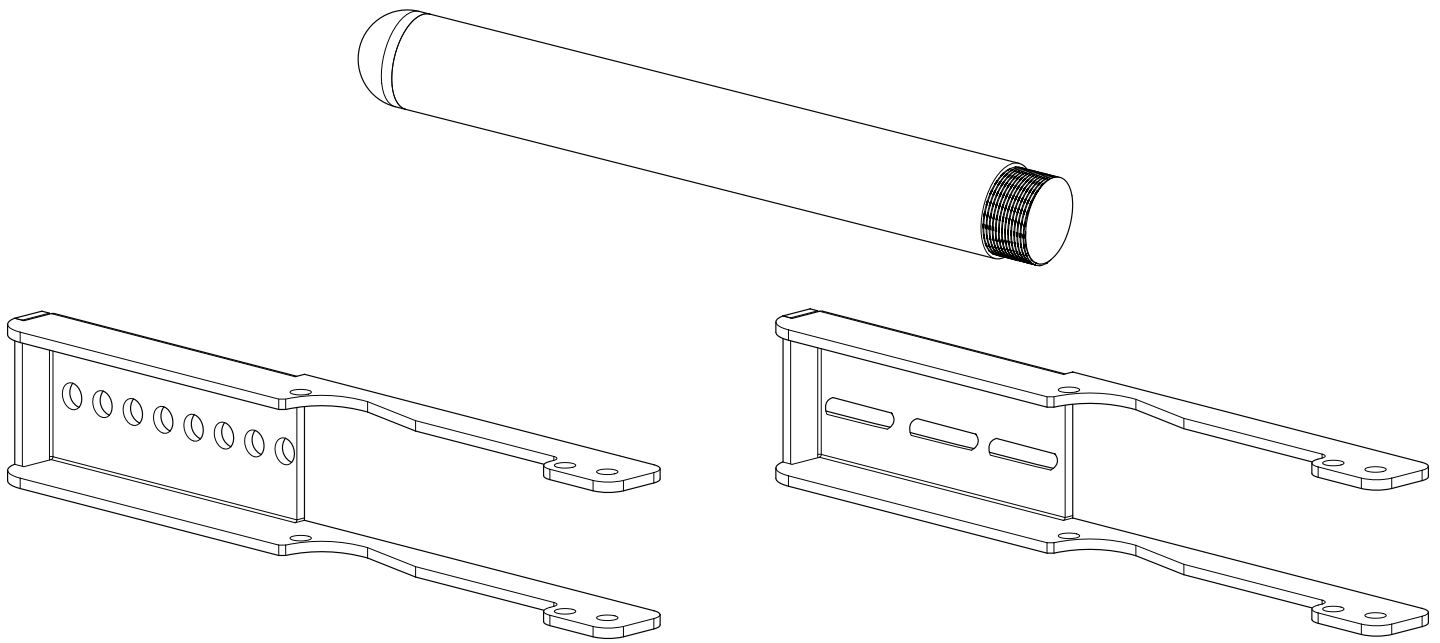


# SANUS | SYSTEMS

## XA2A

(6901-100195 <00>)

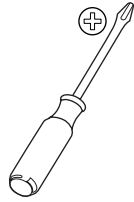
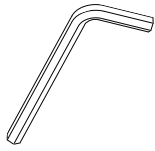
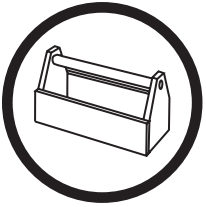
**Backed by CLO**



Thank you for choosing Sanus Systems accessories. The XA2A adapter kit is designed to work with the LA112 television mount. Bar extension adapters accommodate monitors with hole patterns 26 - 34.5 inches (66 - 87.6 cm) wide, and Bracket Extension adapters accommodate monitors 18.5 - 27.5 inches (47 - 70 cm) high.

**⚠ CAUTION**

Do not use this product for any purpose not explicitly specified by Sanus Systems. Improper installation may cause property damage or personal injury. If you do not understand these directions, or have doubts about the safety of the installation, contact Sanus Systems Customer Service or call a qualified contractor. Sanus Systems is not liable for damage or injury caused by incorrect mounting, assembly, or use.



## Supplied Parts and Hardware

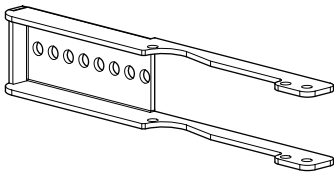
Before starting assembly, verify all parts are included and undamaged. If any parts are missing or damaged, do not return the item to your dealer; contact Sanus Systems Customer Service. Never use damaged parts!



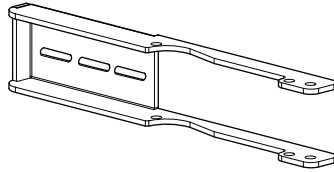
### WARNING

**This product contains small items that could be a choking hazard if swallowed. Keep these items away from young children!**

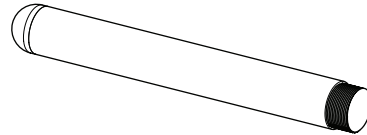
There may be hardware in addition to that listed below included in the hardware bag.



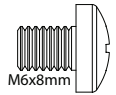
[01] x 2



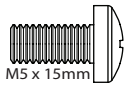
[02] x 2



[03] x 2



[04] x 16



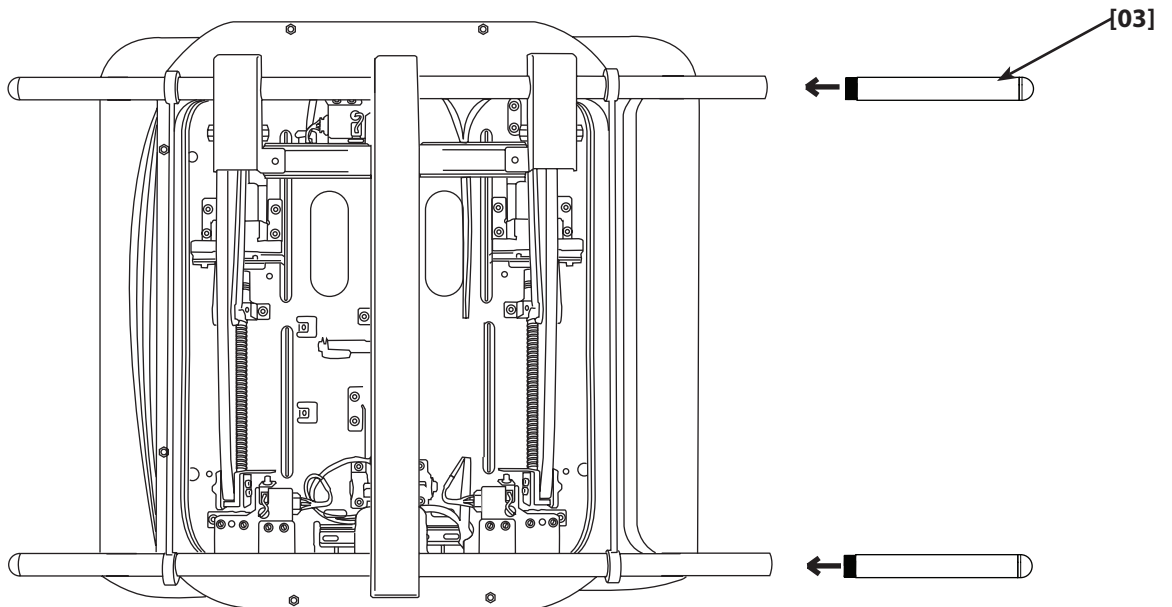
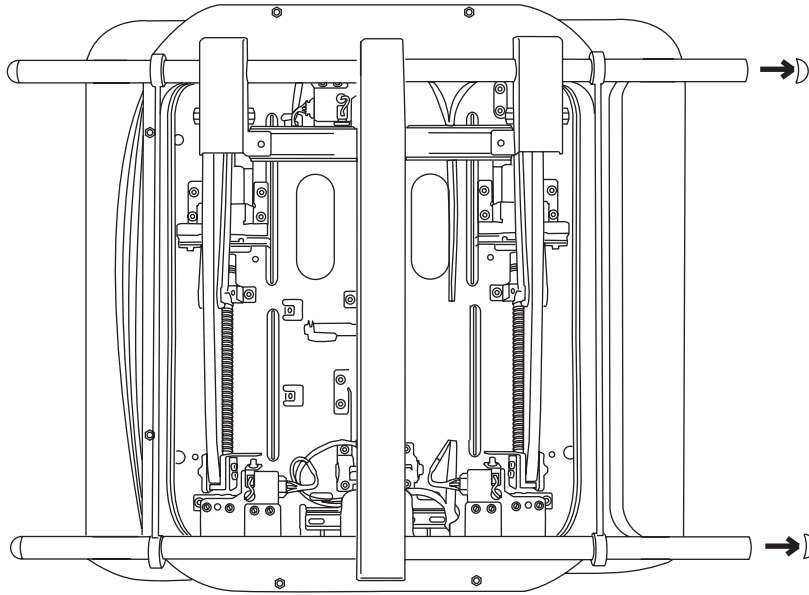
M5 x 15mm

[05] x 4

Some of the hardware you will use is included in your LA112 hardware bag.

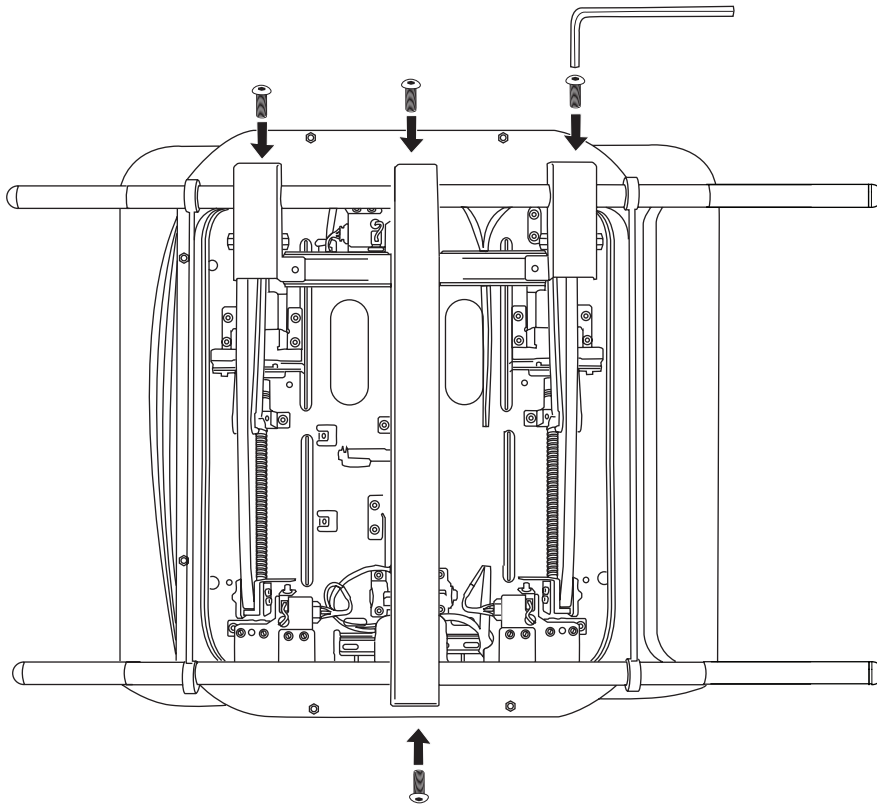
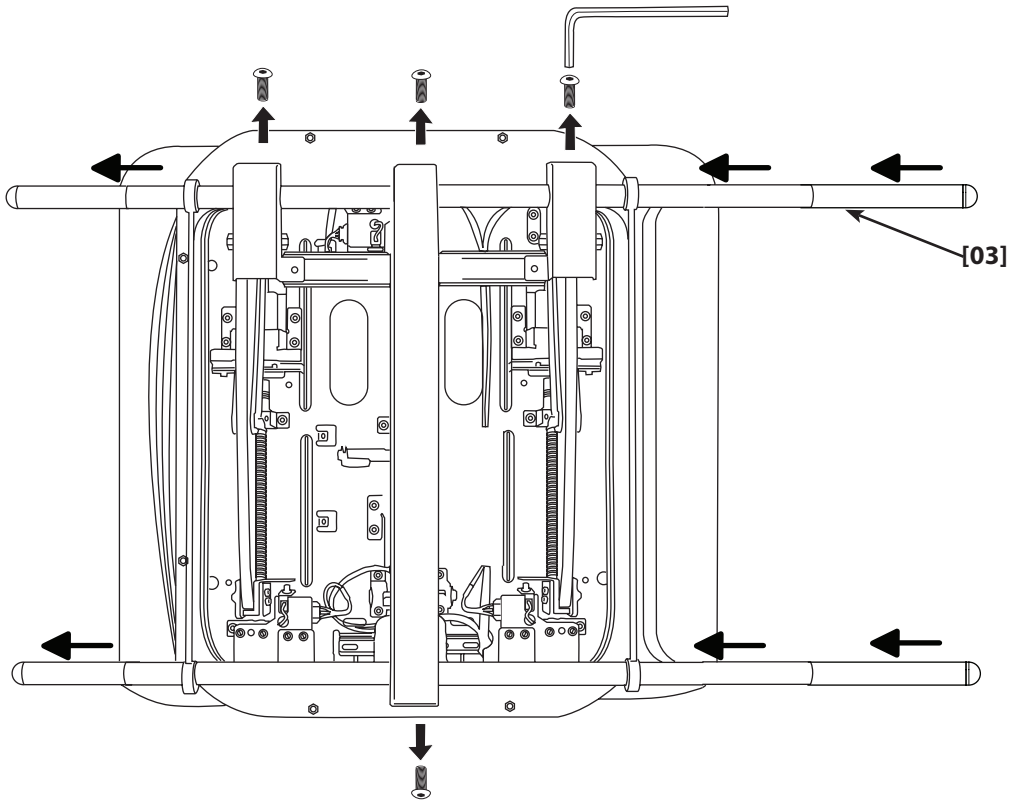
# 1

For monitors with hole patterns 26 - 34.5 inches (66 - 87.6 cm) wide, install Bar Extensions [02].

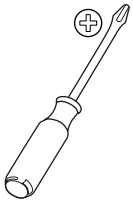




2

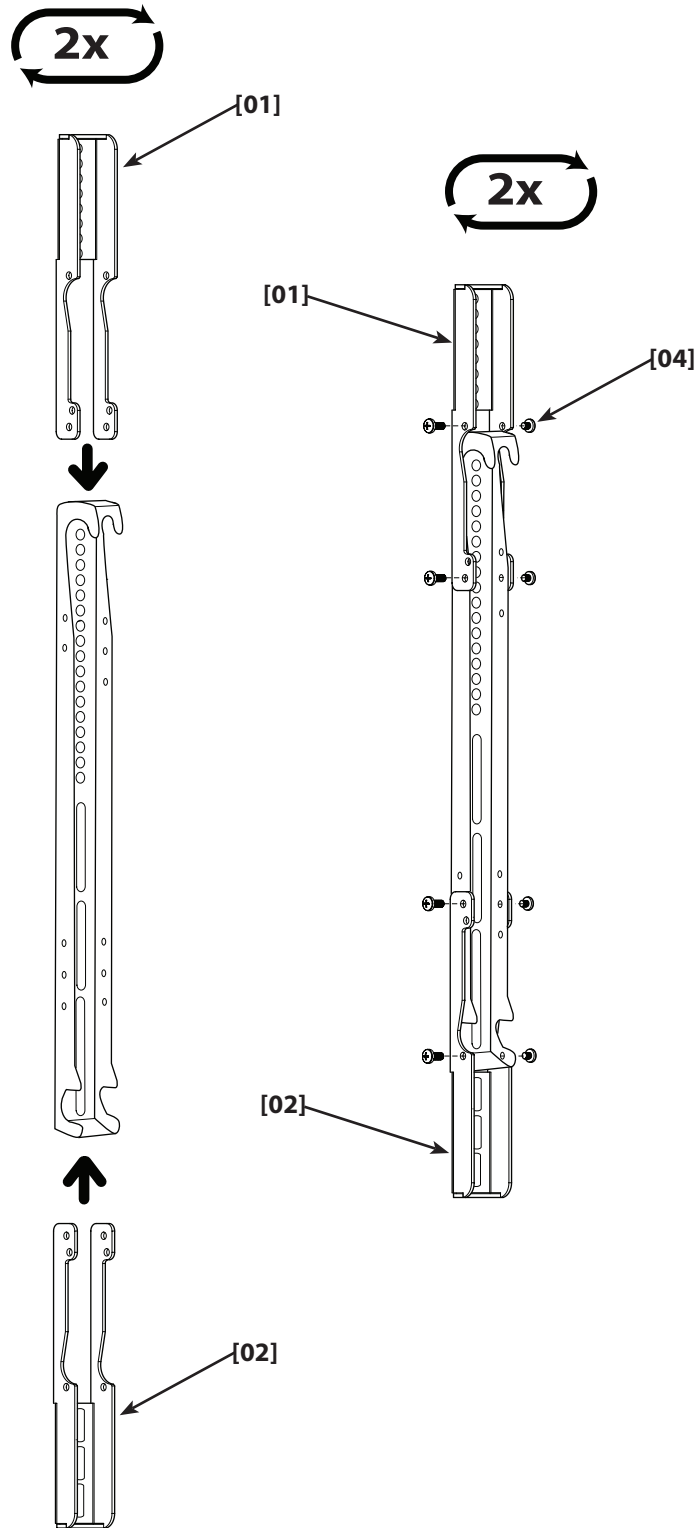


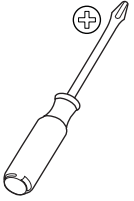
Continue to follow the instructions for your LA112.



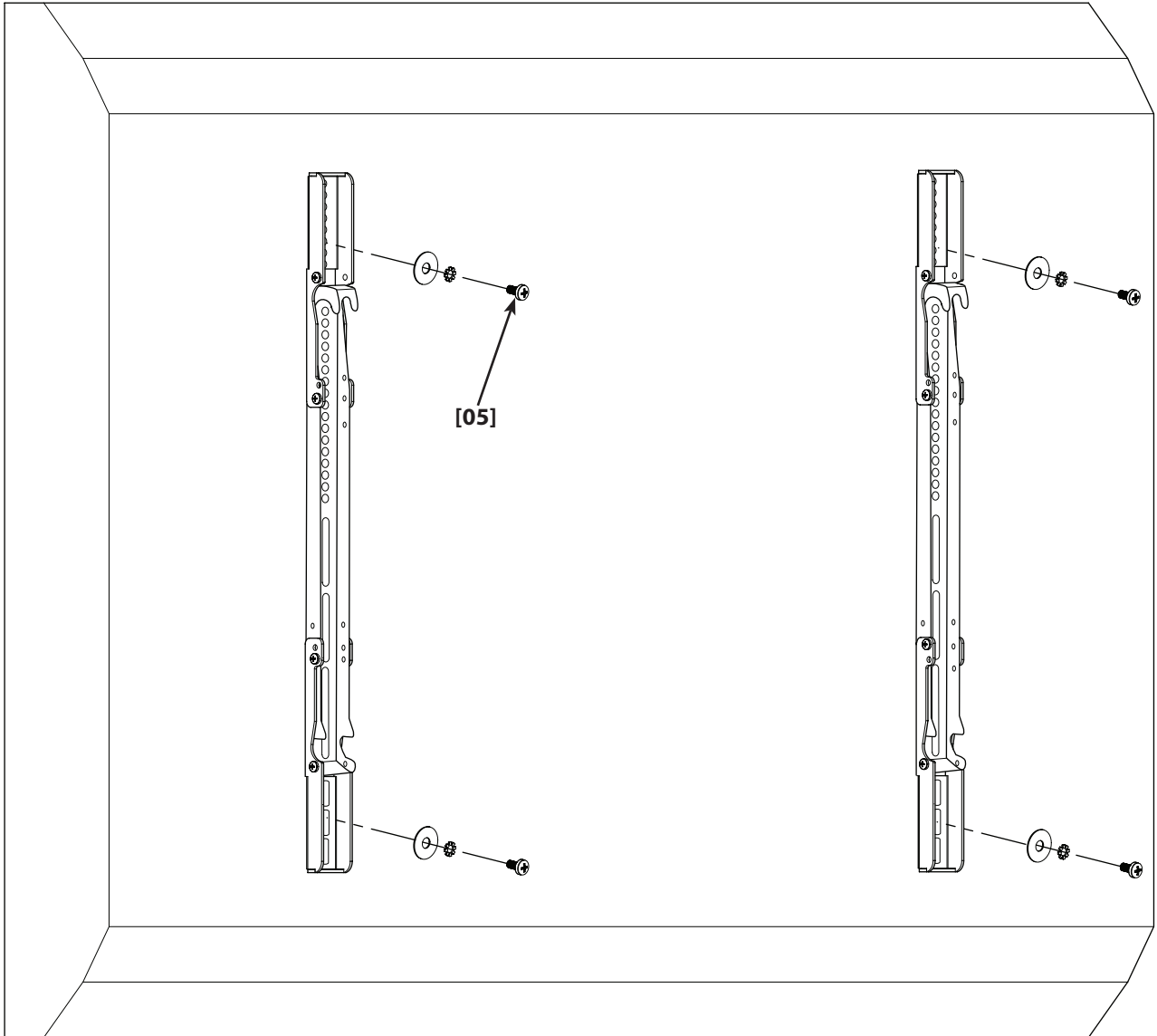
# 1

For monitors 18.5 - 27.5 inches (47 - 70 cm) high, install Bracket Extension Adapters [01] [02].





# 2



Continue to follow the instructions for your LA112.

CSAV, Inc. and its affiliated corporations and subsidiaries (collectively, "CSAV"), intend to make this manual accurate and complete. However, CSAV makes no claim that the information contained herein covers all details, conditions, or variations. Nor does it provide for every possible contingency in connection with the installation or use of this product. The information contained in this document is subject to change without notice or obligation of any kind. CSAV makes no representation of warranty, expressed or implied, regarding the information contained herein. CSAV assumes no responsibility for accuracy, completeness or sufficiency of the information contained in this document.